

AXIS M3085-V Dome Camera

Fixed 2 MP mini dome with deep learning

This cost-efficient mini dome features Wide Dynamic Range (WDR) to ensure clarity even when there's both dark and light areas in the scene. With Lightfinder, it delivers sharp color images even in low light. A deep learning processing unit enables intelligent analytics based on deep learning on the edge. And AXIS Object Analytics offers detection and classification of different types of objects – all tailored to your specific needs. Furthermore, this compact, easy-to-install, vandal-resistant camera comes factory focused so there's no manual focusing required.

- > [Great image quality in 2 MP](#)
- > [Compact, discreet design](#)
- > [WDR and Lightfinder](#)
- > [Support for analytics with deep learning](#)
- > [Built-in cybersecurity features](#)



AXIS M3085-V Dome Camera

Camera

Image sensor

1/2.9" progressive scan RGB CMOS

Lens

3.1 mm, F2.0
Horizontal field of view: 102°
Vertical field of view: 55°
Fixed iris, IR corrected

Day and night

Automatic IR-cut filter

Minimum illumination

With Lightfinder:
Color: 0.18 lux at 50 IRE F2.0
B/W: 0.03 lux at 50 IRE F2.0

Shutter speed

1/19000 s to 1/5 s

Camera adjustment

Pan $\pm 175^\circ$, tilt $\pm 80^\circ$, rotation $\pm 175^\circ$
Can be directed in any direction and see the wall/ceiling

System on chip (SoC)

Model

CV25

Memory

1024 MB RAM, 512 MB Flash

Compute capabilities

Deep learning processing unit (DLPU)

Video

Video compression

H.264 (MPEG-4 Part 10/AVC) Main and High Profiles
H.265 (MPEG-H Part 2/HEVC)
Motion JPEG

Resolution

16:9: 1920x1080 (1080p) to 640x360
4:3: 1280x960 to 320x240

Frame rate

25/30 fps with power line frequency 50/60 Hz in H.264 and H.265¹

Video streaming

Multiple, individually configurable streams in H.264, H.265 and Motion JPEG
Axis Zipstream technology in H.264 and H.265
Controllable frame rate and bandwidth
VBR/ABR/MBR H.264/H.265

WDR

WDR: Up to 120 dB depending on scene

Multi-view streaming

Up to 2 individually cropped out view areas in full frame rate

Image settings

Saturation, contrast, brightness, sharpness, white balance, day/night threshold, exposure mode, exposure zones, compression, rotation: 0°, 90°, 180°, 270° including corridor format, mirroring, dynamic text and image overlay, privacy masks

Image processing

Axis Zipstream, WDR, Lightfinder

Pan/Tilt/Zoom

Digital PTZ

Audio

Features

Automatic gain control
10-band graphic equalizer for audio input
Voice enhancer through portcast technology
Speaker pairing

Streaming

Two-way (full duplex)

Input

Input through portcast technology

Output

Output through speaker pairing or portcast technology

1. Reduced frame rate in Motion JPEG

Encoding

AAC-LC 8/16/32/44.1/48 kHz, G.711 PCM 8 kHz, G.726 ADPCM 8 kHz, Opus 8/16/48 kHz, LPCM 48 kHz
Configurable bitrate

Network

Network protocols

IPv4, IPv6 USGv6, ICMPv4/ICMPv6, HTTP, HTTPS², HTTP/2, TLS², QoS Layer 3 DiffServ, FTP, SFTP, CIFS/SMB, SMTP, mDNS (Bonjour), UPnP[®], SNMP v1/v2c/v3 (MIB-II), DNS/DNSv6, DDNS, NTP, PTP, NTS, RTSP, RTCP, RTP, SRTP/RTSPS, TCP, UDP, IGMPv1/v2/v3, DHCPv4/v6, SSH, LLDP, CDP, MQTT v3.1.1, Secure syslog (RFC 3164/5424, UDP/TCP/TLS), Link-Local address (ZeroConf), IEEE 802.1X (EAP-TLS), IEEE 802.1AR

System integration

Application Programming Interface

Open API for software integration, including VAPIX[®], metadata and AXIS Camera Application Platform (ACAP); specifications at axis.com/developer-community.

One-click cloud connection

ONVIF[®] Profile G, ONVIF[®] Profile M, ONVIF[®] Profile S, and ONVIF[®] Profile T, specifications at onvif.org

Video management systems

Compatible with AXIS Camera Station Edge, AXIS Camera Station Pro, AXIS Camera Station 5, and video management software from Axis' partners available at axis.com/vms.

Onscreen controls

Privacy masks
Media clip

Edge-to-edge

Speaker pairing

Event conditions

Application

Audio: audio detection

Device status: above/below/within operating temperature, IP address blocked, IP address removed, new IP address, network lost, system ready, live stream active

Edge storage: recording ongoing, storage disruption, storage health issues detected

I/O: manual trigger, virtual input, digital input via accessories using portcast technology

MQTT: subscribe

Scheduled and recurring: schedule

Video: average bitrate degradation, tampering

Event actions

Day-night mode

LEDs: flash status LED, flash status LED while the rule is active

MQTT: publish

Notification: HTTP, HTTPS, TCP and email

Overlay text

Recordings

SNMP traps

Upload of images or video clips: FTP, SFTP, HTTP, HTTPS, network share and email

WDR mode

External output activation via accessories using portcast technology

Built-in installation aids

Pixel counter, level grid

Analytics

Applications

Included

AXIS Object Analytics, AXIS Scene Metadata, AXIS Live Privacy Shield³, AXIS Video Motion Detection, active tampering alarm, audio detection

Supported

AXIS People Counter

Support for AXIS Camera Application Platform enabling installation of third-party applications, see axis.com/acap

2. This product includes software developed by the OpenSSL Project for use in the OpenSSL Toolkit. (openssl.org), and cryptographic software written by Eric Young (ey@cryptsoft.com).

3. Available for download

AXIS Object Analytics

Object classes: humans, vehicles (types: cars, buses, trucks, bikes)

Scenarios: line crossing, object in area, time in area, crossline counting, occupancy in area, motion in area, motion line crossing

Up to 10 scenarios

Other features: triggered objects visualized with color-coded bounding boxes, polygon include/exclude areas, perspective configuration, ONVIF motion alarm event

AXIS Scene Metadata

Object classes: humans, faces, vehicles (types: cars, buses, trucks, bikes), license plates

Object attributes: vehicle color, upper/lower clothing color, confidence, position

Audio data: audio level

Approvals

Product markings

CE, FCC, ICES, RCM, VCCI, BIS

Supply chain

TAA compliant

EMC

EN 55032 Class A, EN 55035, EN 61000-6-1, EN 61000-6-2

Australia/New Zealand: RCM AS/NZS CISPR 32 Class A

Canada: ICES-3(A)/NMB-3(A)

Japan: VCCI Class A

Korea: KS C 9835, KS C 9832 Class A

USA: FCC Part 15 Subpart B Class A

Safety

IEC/EN/UL 62368-1, IS 13252

Environment

IEC 60068-2-1, IEC 60068-2-2, IEC 60068-2-6,

IEC 60068-2-14, IEC 60068-2-27, IEC 60068-2-78,

IEC/EN 60529 IP42, IEC/EN 62262 IK08

Network

NIST SP500-267

Cybersecurity

ETSI EN 303 645, BSI IT Security Label

Cybersecurity

Edge security

Software: Signed OS, brute force delay protection, digest authentication, password protection

Hardware: Axis Edge Vault cybersecurity platform Secure element (CC EAL 6+), system-on-chip security (TEE), Axis device ID, secure keystore, signed video, secure boot, encrypted filesystem (AES-XTS-Plain64 256bit)

Network security

IEEE 802.1X (EAP-TLS)⁴, IEEE 802.1AR, HTTPS/HSTS⁴, TLS v1.2/v1.3⁴, Network Time Security (NTS), X.509

Certificate PKI, IP address filtering

Documentation

AXIS OS Hardening Guide

Axis Vulnerability Management Policy

Axis Security Development Model

AXIS OS Software Bill of Material (SBOM)

To download documents, go to axis.com/support/cybersecurity/resources

To read more about Axis cybersecurity support, go to axis.com/cybersecurity

General

Casing

IP42 water- and dust-resistant (to comply with IP42, follow Installation Guide), IK08 impact-resistant, polycarbonate/ABS casing

Encapsulated electronics

Color: white NCS S 1002-B

For repainting instructions, go to the product's support page. For information about the impact on warranty, go to axis.com/warranty-implication-when-repainting.

Power

Power over Ethernet (PoE) IEEE 802.3af/802.3at Type 1 Class 2

Typical 3.6 W, max 4.2 W

Connectors

Network: Shielded RJ45 10BASE-T/100BASE-TX PoE

Audio: Audio and I/O connectivity via portcast technology

4. This product includes software developed by the OpenSSL Project for use in the OpenSSL Toolkit. (openssl.org), and cryptographic software written by Eric Young (ey@cryptsoft.com).

Storage

Support for microSD/microSDHC/microSDXC card
Support for SD card encryption (AES-XTS-Plain64 256bit)
Recording to network-attached storage (NAS)
For SD card and NAS recommendations see axis.com

Operating conditions

Temperature: 0 °C to 45 °C (32 °F to 113 °F)
Humidity: 10–85% RH (non-condensing)

Storage conditions

Temperature: -40 °C to 65 °C (-40 °F to 149 °F)
Humidity: 5–95% RH (non-condensing)

Dimensions

For the overall product dimensions, see the dimension drawing in this datasheet.

Weight

150 g (0.33 lb)

Box content

Camera, installation guide

Optional accessories

AXIS TM3812 Tamper Cover
AXIS T61 Audio and I/O Interface Series
Black casing
Smoked dome
AXIS Surveillance microSDXC™ Card
For more accessories, go to axis.com/products/axis-m3085-v#accessories

System tools

AXIS Site Designer, AXIS Device Manager, product selector, accessory selector, lens calculator
Available at axis.com

Languages

English, German, French, Spanish, Italian, Russian, Simplified Chinese, Japanese, Korean, Portuguese, Polish, Traditional Chinese, Dutch, Czech, Swedish, Finnish, Turkish, Thai, Vietnamese

Warranty

5-year warranty, see axis.com/warranty

Part numbers

Available at axis.com/products/axis-m3085-v#part-numbers

Sustainability

Substance control

PVC free, BFR/CFR free in accordance with JEDEC/ECA Standard JS709
RoHS in accordance with EU RoHS Directive 2011/65/EU/ and EN 63000:2018
REACH in accordance with (EC) No 1907/2006. For SCIP UUID, see echa.europa.eu

Materials

Renewable carbon-based plastic content: 57% (recycled)
Screened for conflict minerals in accordance with OECD guidelines
To read more about sustainability at Axis, go to axis.com/about-axis/sustainability

Environmental responsibility

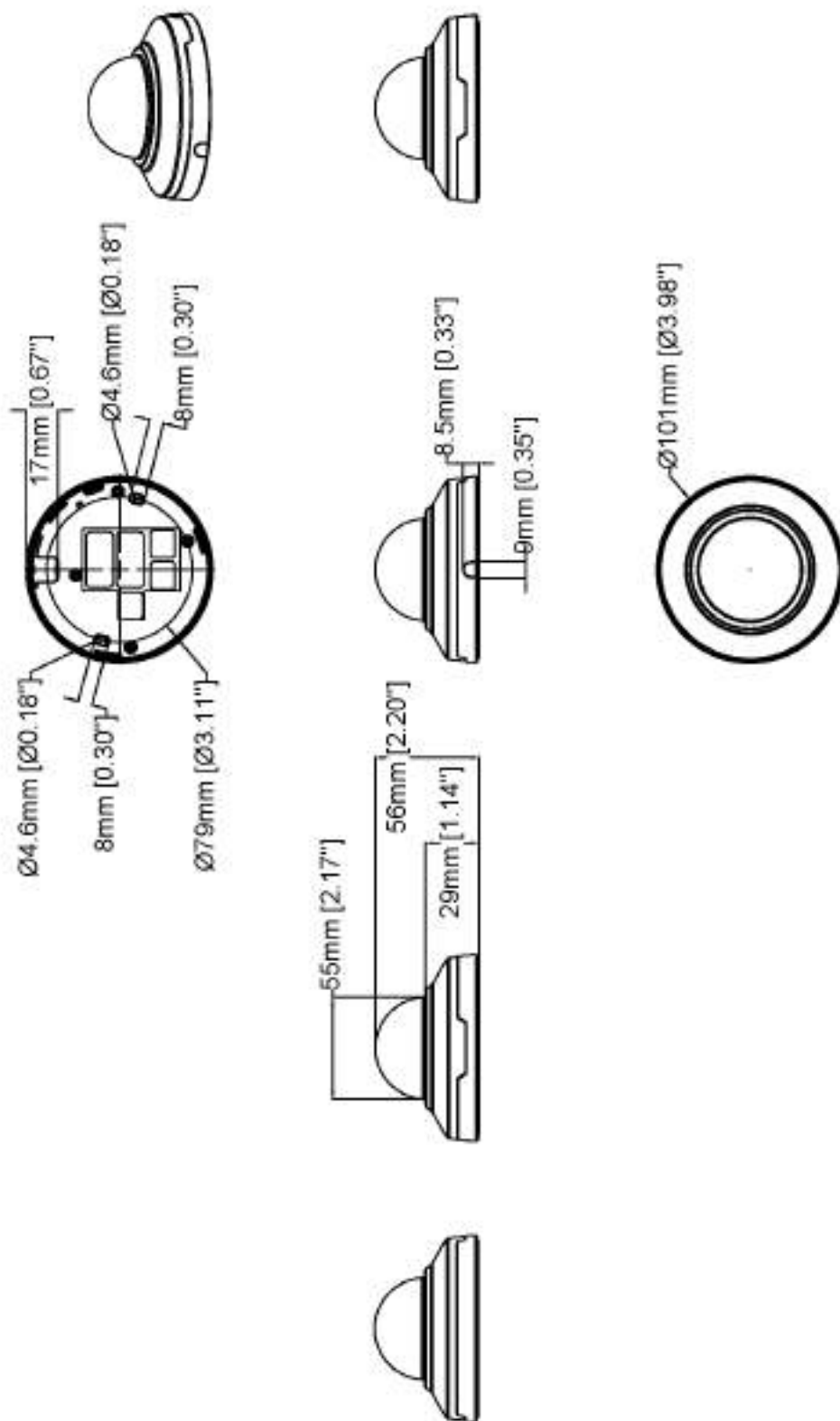
axis.com/environmental-responsibility
Axis Communications is a signatory of the UN Global Compact, read more at unglobalcompact.org

Detect, Observe, Recognize, Identify (DORI)

	DORI definition	Distance
Detect	25 px/m (8 px/ft)	45.6 m (149.6 ft)
Observe	63 px/m (19 px/ft)	18.1 m (59.4 ft)
Recognize	125 px/m (38 px/ft)	9.1 m (29.8 ft)
Identify	250 px/m (76 px/ft)	4.6 m (15.1 ft)

The DORI values are calculated using pixel densities for different use cases as recommended by the EN-62676-4 standard. The calculations use the center of the image as the reference point and consider lens distortion. The possibility to recognize or identify a person or object depends on factors such as object motion, video compression, lighting conditions, and camera focus. Use margins when planning. The pixel density varies across the image, and the calculated values can differ from the distances in the real world.

Dimension drawing



Revision	v.01	Revision date	2021-12-17
Paper size	A4	Release date	2021-12-17
Created by	MF	Scale	1:3

Highlighted capabilities

AXIS Object Analytics

AXIS Object Analytics is a preinstalled, multifeatured video analytics that detects and classifies humans, vehicles, and types of vehicles. Thanks to AI-based algorithms and behavioral conditions, it analyzes the scene and their spatial behavior within – all tailored to your specific needs. Scalable and edge-based, it requires minimum effort to set up and supports various scenarios running simultaneously.

information is identified, recorded, and sent in full resolution and frame rate.

For more information, see [axis.com/glossary](https://www.axis.com/glossary)

Axis Edge Vault

Axis Edge Vault is the hardware-based cybersecurity platform that safeguards the Axis device. It forms the foundation that all secure operations depend on and offer features to protect the device's identity, safeguard its integrity and protect sensitive information from unauthorized access. For instance, **secure boot** ensures that a device can boot only with **signed OS**, which prevents physical supply chain tampering. With signed OS, the device is also able to validate new device software before accepting to install it. And the **secure keystore** is the critical building-block for protecting cryptographic information used for secure communication (IEEE 802.1X, HTTPS, Axis device ID, access control keys etc.) against malicious extraction in the event of a security breach. The secure keystore and secure connections are provided through a Common Criteria or FIPS 140 certified hardware-based cryptographic computing module.

Furthermore, signed video ensures that video evidence can be verified as untampered. Each camera uses its unique video signing key, which is securely stored in the secure keystore, to add a signature into the video stream allowing video to be traced back to the Axis camera from where it originated.

To read more about Axis Edge Vault, go to [axis.com/solutions/edge-vault](https://www.axis.com/solutions/edge-vault).

Lightfinder

The Axis Lightfinder technology delivers high-resolution, full-color video with a minimum of motion blur even in near darkness. Because it strips away noise, Lightfinder makes dark areas in a scene visible and captures details in very low light. Cameras with Lightfinder discern color in low light better than the human eye. In surveillance, color may be the critical factor to identify a person, an object, or a vehicle.

Zipstream

The Axis Zipstream technology preserves all the important forensic in the video stream while lowering bandwidth and storage requirements by an average of 50%. Zipstream also includes three intelligent algorithms, which ensure that relevant forensic